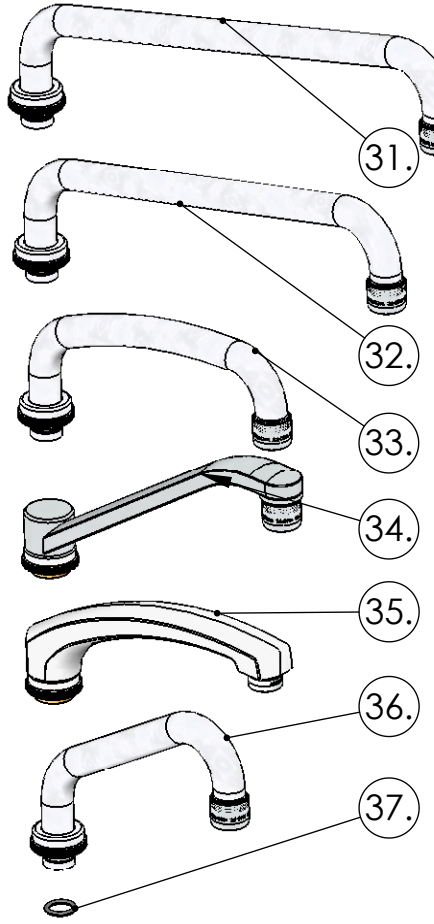
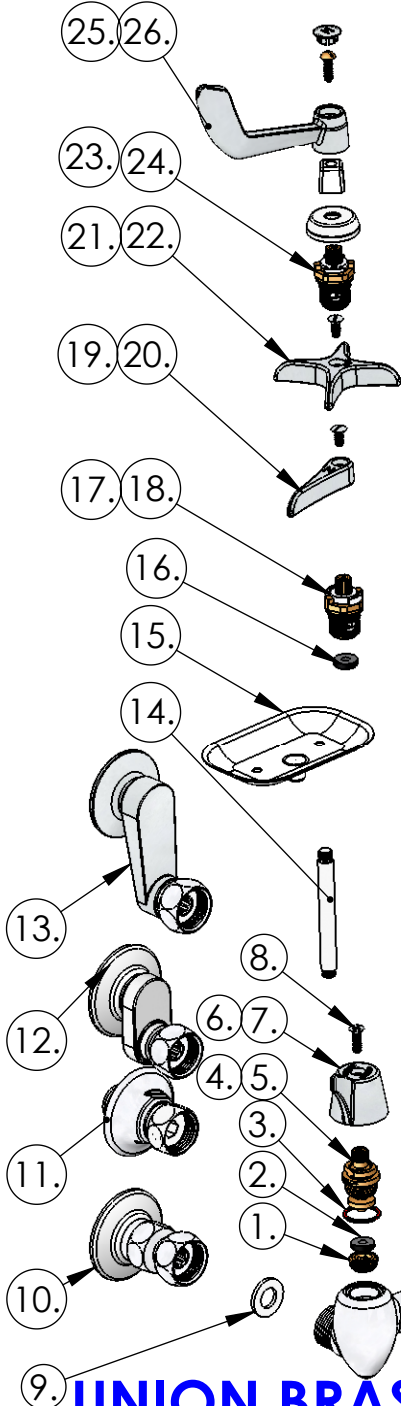


* Fiber Washer Same For
Compression & 1/4 Turn Valves

* If ordering 19, 20, 21, 22
handles you should order
plated compression valves
Part Number = 88537, 88538



20 & 40 Series Wallmount Parts List

Item #	Part #	Description
1	12639	Seat
2	13801	Bibb Washer
3	13717	Fibre Washer
4	80037	Compression Valve Ass'y - Hot
5	80038	Compression Valve Ass'y - Cold
6	80349	Handle Assembly - Hot
7	80350	Handle Assembly - Cold
8	12429	Handle Screw
9	13703	Fibre Washer
10	88551	Female Flange Assembly
11	80025	Male Flange Assembly
12	89225	Eccentric Flange Assembly
13	88235	Extra Wide Ecc. Flange Ass'y
14	82323	Soap Dish Post
15	81001	Soap Dish
16	12274	O-Ring
17	80079	1/4 Turn Ceramic Cartridge - Hot
18	80080	1/4 Turn Ceramic Cartridge - Cold
19	80303	Blade Handle Assembly - Hot
20	80304	Blade Handle Assembly - Cold
21	80307	Cross Handle Assembly - Hot
22	80308	Cross Handle Assembly - Cold
23	80089	Industrial 1/4 Turn Ceramic - Hot
24	80090	Industrial 1/4 Turn Ceramic- Cold
25	88184	Hospital Handle Assembly - Hot
26	88185	Hospital Handle Assembly - Cold
27	88514	Hi-Rise Spout Assembly
28	88186	Swing Gooseneck Spout Assy
29	88190	Rigid Gooseneck Spout Assy
30	88180	Gooseneck Spout Assembly
31	88554	14" Tube Spout Assembly
32	88553	12" Tube Spout Assembly
33	80063	8" Tube Spout Assembly
34	88118	D-Spout Assembly
35	80135	Cast Spout Assembly
36	88548	6" Tube Spout Assembly
37	12221	O-Ring (for tube spouts)

UNION BRASS MANUFACTURING COMPANY

2955 Lone Oak Circle, Eagan, MN 55121

Phone (651) 454-8858 Fax (651) 454-1228

WWW.UNIONBRASS.COM